



RAILING SYSTEM



www.frontmetal.com.tr

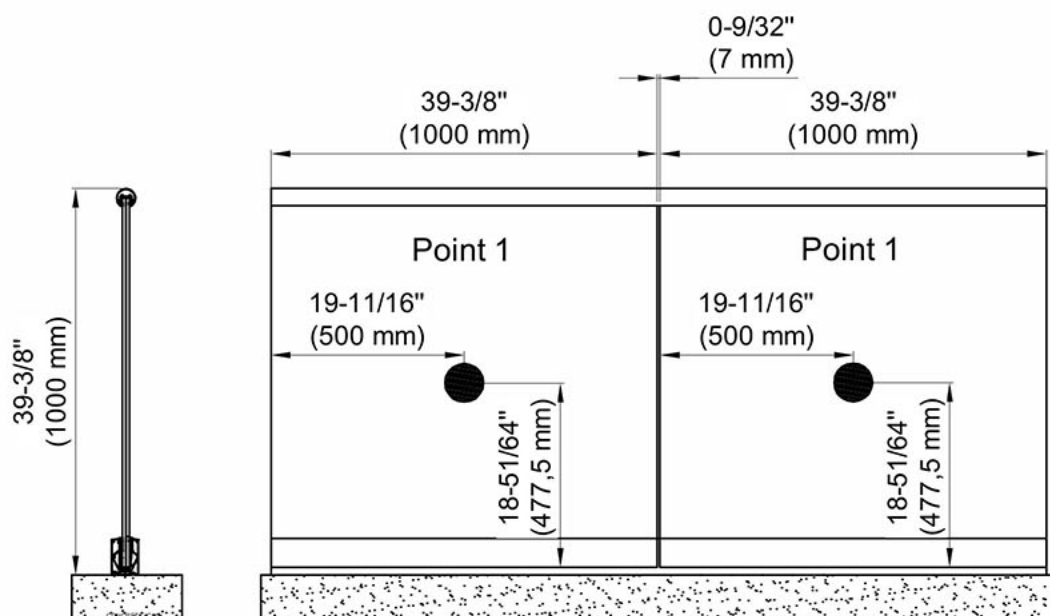
Railing System

<i>INDEX</i>	<i>Page</i>
<i>1. Contents</i>	<i>1</i>
<i>2. Technical Information</i>	<i>2</i>
<i>3. Profile List</i>	<i>3</i>
<i>4. List of Accessories</i>	<i>4</i>
<i>5. Profiles</i>	<i>9</i>
<i>6. Plan / Section Drawings</i>	<i>11</i>
<i>7. Manufacturing Guide</i>	<i>15</i>
<i>8. Test Reports and Contact Information</i>	<i>22</i>

LUMIGARDE 95

(Technical Information)

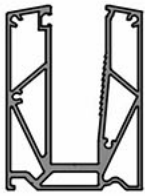
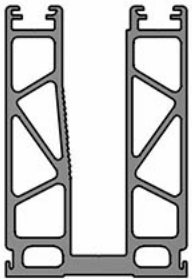

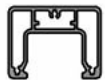



Testing Reference : NF P 01-013 French Standard – Tests of Railings Methods and Criteria



Testing Reference	Test	Impact Point	Total Force	Height of fall (mm)	Result
NF P 01-013	Dynamic Load (Impact)	Point 1	600 Joule	There was no damage observed on the sample	OK
NF P 01-013	Dynamic Load (Impact)	Point 1	600 Joule	There was no damage observed on the sample	OK

LUMIGARDE 95

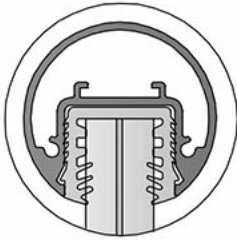
(List of the Profiles)

Profile Shape	Profile Code	Mold Code	Profile Name	Weight : lbs/ft
	LG 1	17-4948	Aluminum Base Profile	2,780
	LG 5	17-5051	Aluminum Base Profile	6,560
	LG 2	17-4949	Aluminum Railing Profile	0,780
	LG 3	18-5059	Aluminum Railing Profile	0,800
	LG 4	18-5683	Aluminum Railing Profile	0,560
	LG 6	18-5682	Aluminum Cover Profile	0,175
	LG 7	17-5052	Aluminum Cover Profile	0,700

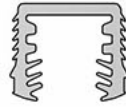
NOTE: Profile unit weight is calculated on the computer and is theoretical weight.

Note: *1 Supply periods of related products are out of the standard supply periods and it is important to contact the bases.

LUMIGARDE 95



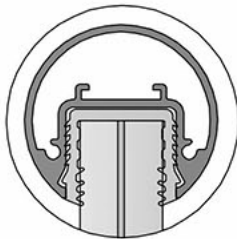
Scale : 1/2



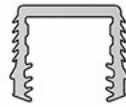
Scale : 1/2

U Glass Gasket (For 0-5/16"+0-1/16"pvb+0-5/16")
U Glass Gasket (For 8+1,52pvb+8 mm)

Accessories Code	
FT09 011	1574-51/64" (40 m)



Scale : 1/2



Scale : 1/2

U Glass Gasket (For 0-25/64"+0-1/16"pvb+0-25/64")
U Glass Gasket (For 10+1,52pvb+10 mm)

Accessories Code	
FT09 015	1574-51/64" (40 m)



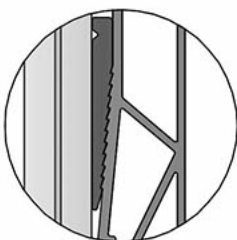
Scale : 1/2



Scale : 1/2

Interior Glass Gasket (For 0-5/16"+0-1/16"pvb+0-5/16" and 0-25/64"+0-1/16"pvb+0-25/64")
Interior Glass Gasket (For 8+1,52pvb+8 mm and 10+1,52pvb+10 mm)

Accessories Code	
FT01 013	5905-33/64" (150 m)



Scale : 1/2

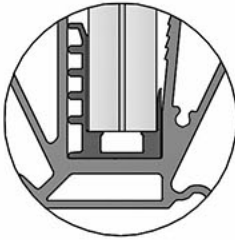


Scale : 1/2

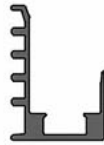
Wedges (For 0-5/16"+0-1/16"pvb+0-5/16" and 0-25-64"+0-1/16"pvb+0-25/64")
Wedges (For 8+1,52pvb+8 mm and 10+1,52pvb+10 mm)

Accessories Code	
	pcs
AT03 012	20

LUMIGARDE 95




Scale : 1/2



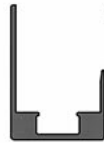
Scale : 1/2

Plastic (For 0-5/16"+0-1/16"pvb+0-5/16")
Plastic (For 8+1,52pvb+8 mm)

Accessories Code	
	pcs
AT03 013	20




Scale : 1/2

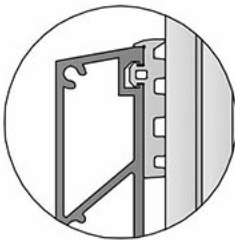


Scale : 1/2

Plastic (For 0-25/64"+0-1/16"pvb+0-25/64")
Plastic (For 10+1,52pvb+10 mm)

Accessories Code	
	pcs
AT03 036	20

Note: *1 Supply periods of related products are out of the standard supply periods and it is important to contact the bases.




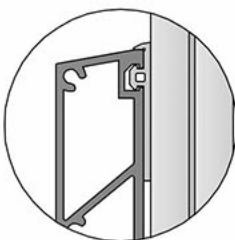
Scale : 1/2



Scale : 1/2

Outside Glass Gasket (For 0-5/16"+0-1/16"pvb+0-5/16")
Outside Glass Gasket (For 8+1,52pvb+8 mm)

Accessories Code	
FT02 004	1968-1/2" (50 m)




Scale : 1/2



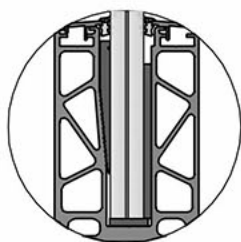
Scale : 1/2

Outside Glass Gasket (For 0-25/64"+0-1/16"pvb+0-25/64")
Outside Glass Gasket (For 10+1,52pvb+10mm)

Accessories Code	
FT02 005	1968-1/2" (50 m)

Note: *2 Supply periods of related products are out of the standard supply periods and it is important to contact the bases.

LUMIGARDE 95




Scale : 1/5

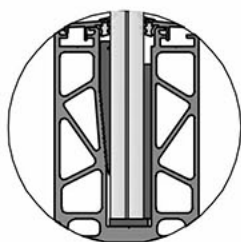
Wedges (For $0-5/16''+0-1/16''p_{vb}+0-5/16''$ and $0-25/64''+0-1/16''p_{vb}+0-25/64''$)
Wedges (For $8+1,52p_{vb}+8$ mm and $10+1,52p_{vb}+10$ mm)



Scale : 1/2

List of Accessories

Accessories Code	
	pcs
AT03 011	




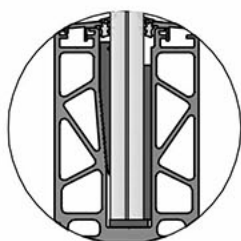
Scale : 1/5

Spacer for Glass Pane



Scale : 1/2

Accessories Code	
	pcs
C01 011	




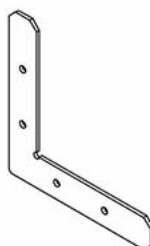
Scale : 1/5

Spacer for Glass Pane




Scale : 1/2

Accessories Code	
	pcs
C01 008	

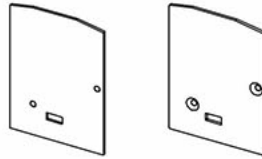


Mitre Joint Angel


Accessories Code	
	pcs
GT01 026	

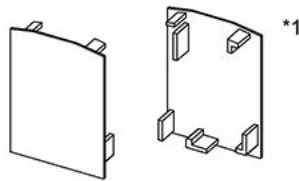
LUMIGARDE 95

List of Accessories




Base Cover (Aluminum)

Accessories Code	
	pcs
TT03 005	RIGHT
TT03 006	LEFT




Base Cover

Accessories Code	
	pcs
AT03 038	RIGHT
AT03 039	LEFT

Note: *1 Supply periods of related products are out of the standard supply periods and it is important to contact the bases.




Flange (Aluminum)

Accessories Code	
	pcs
ZT10 001	




Flange (Aluminum)

Accessories Code	
	pcs
ZT08 015	

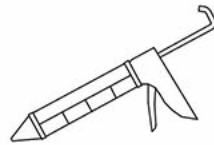
List of Accessories




Railing Cover

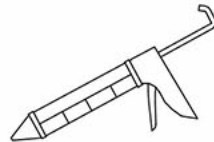
Accessories Code	
	pcs
AT03 040	

Note: *1 Supply periods of related products are out of the standard supply periods and it is important to contact the bases.




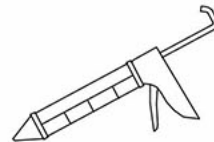
Silicone

Accessories Code	
	pcs
DT06 001	




Silicone

Accessories Code	
	pcs
D07 006	




Silicone

Accessories Code	
	pcs
D06 001	

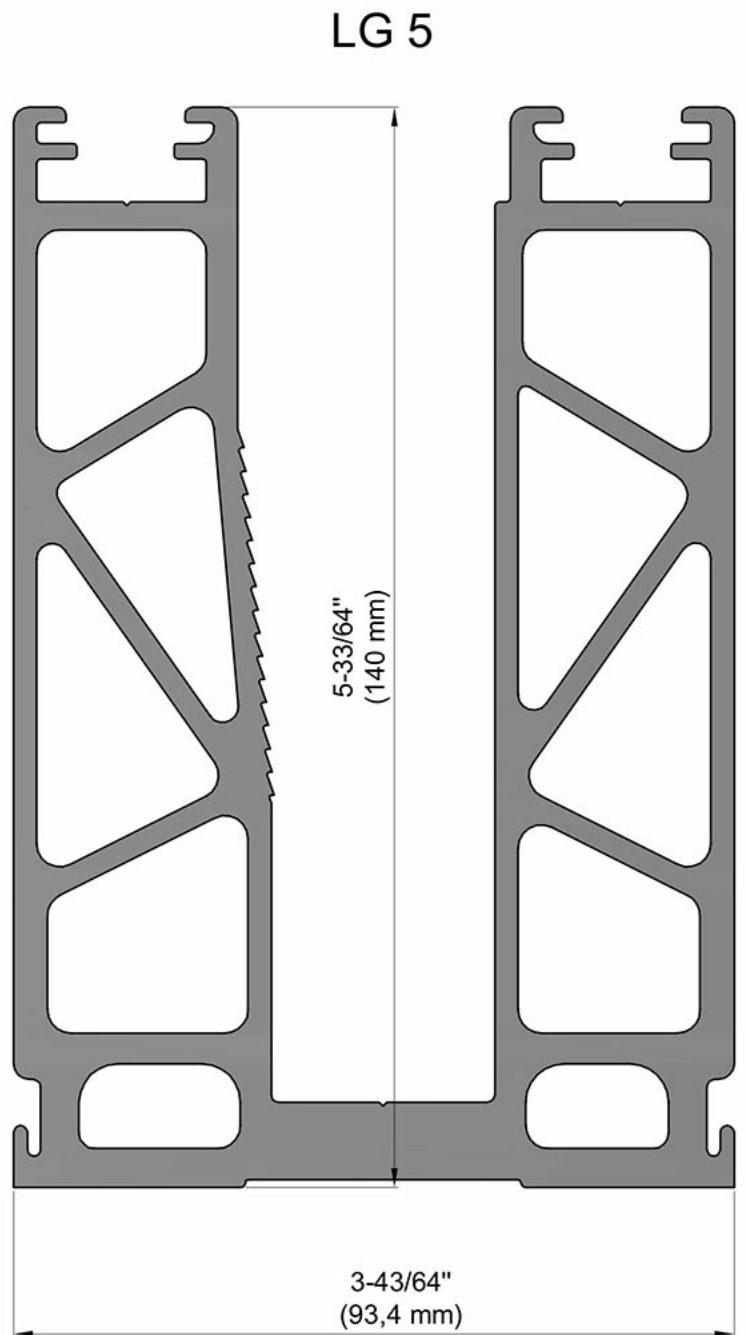
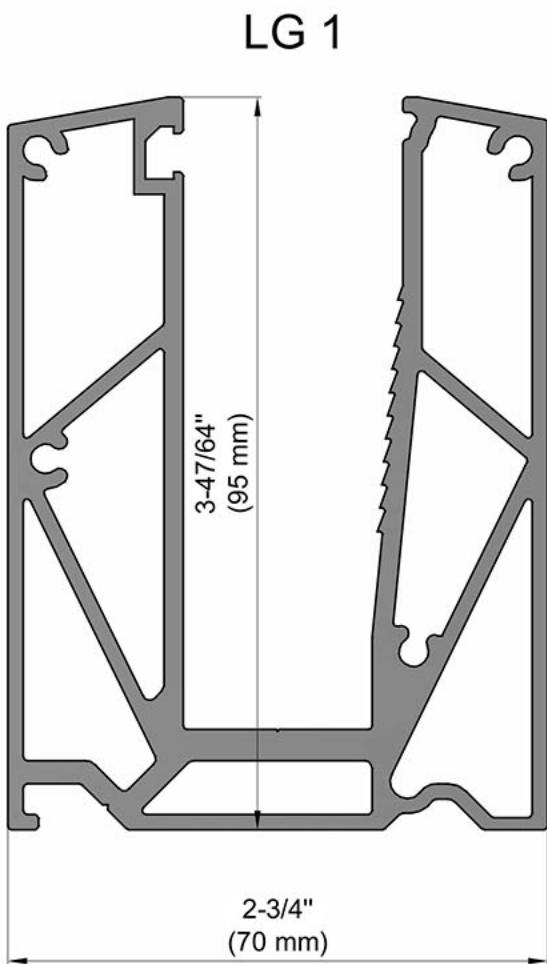


Screw

Accessories Code	
	pcs
V9T 42 22	

LUMIGARDE 95

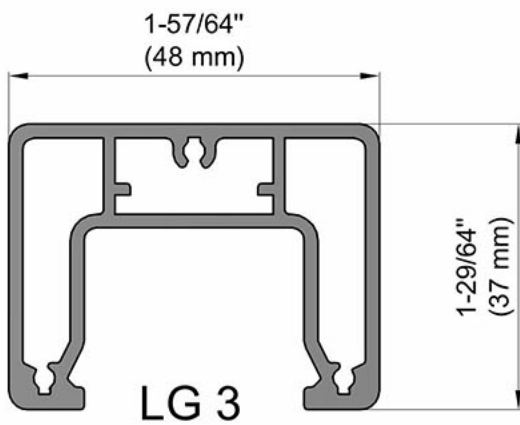
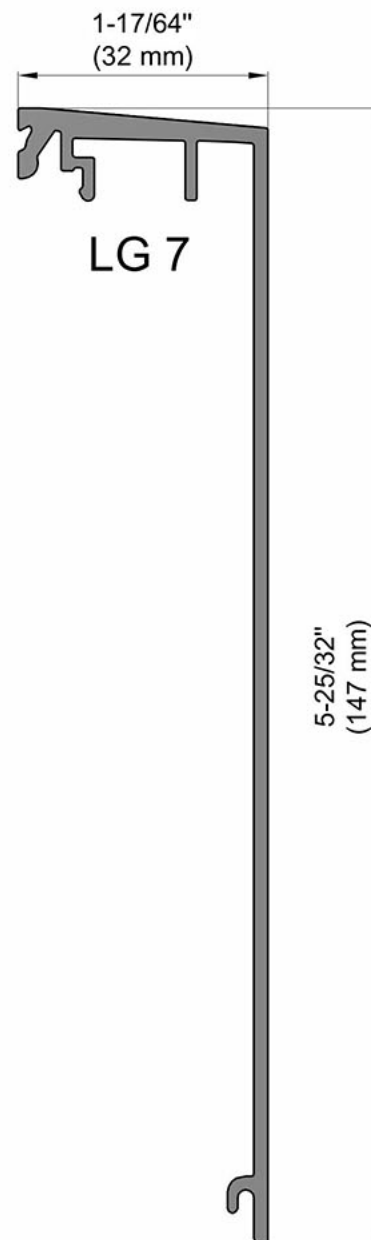
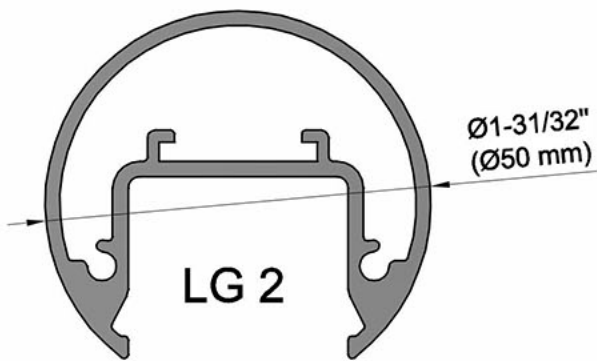
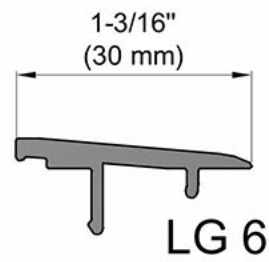
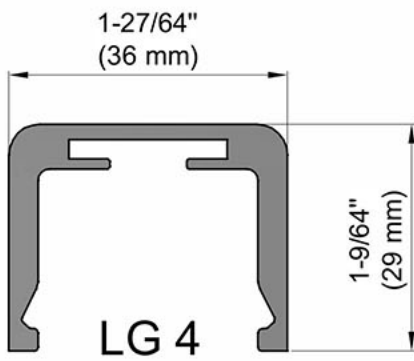
(Profiles)



Scale: 1/1

LUMIGARDE 95

(Profiles)



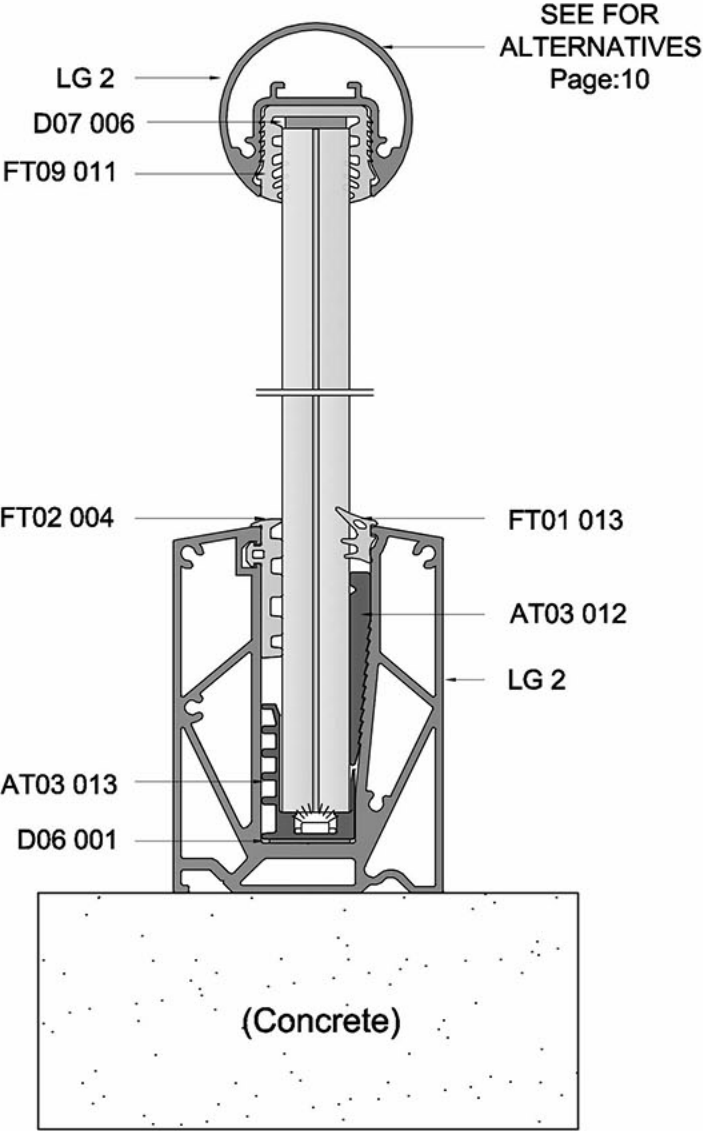
Scale: 1/1

LUMIGARDE 95



Plan / Section Drawings

For glass **0-5/16"+0-1/16"pvb+0-5/16"**
(For glass 8 + 1.52 pvb + 8 mm)



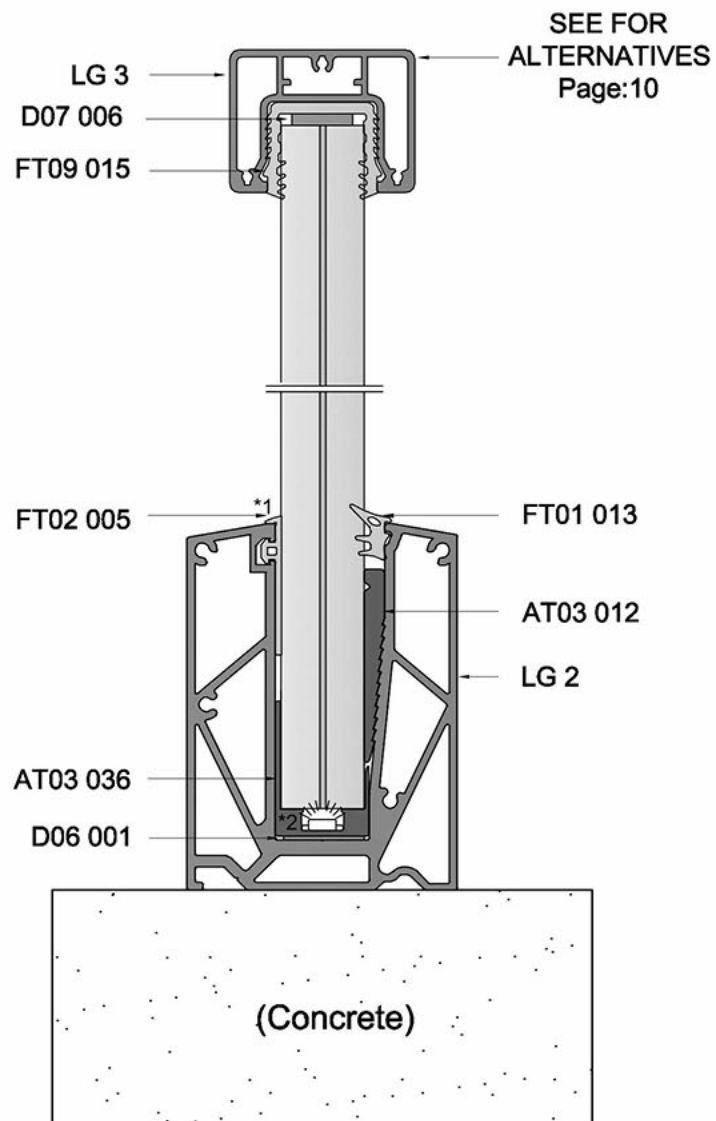
Scale: 1/2

LUMIGARDE 95



Plan / Section Drawings

For glass 0-25/64"+0-1/16"pvb+0-25/64"
(For glass 10 + 1.52 pvb + 10 mm)



Note: *1 , *2 Supply periods of related products are out of the standard supply periods and it is important to contact the bases.

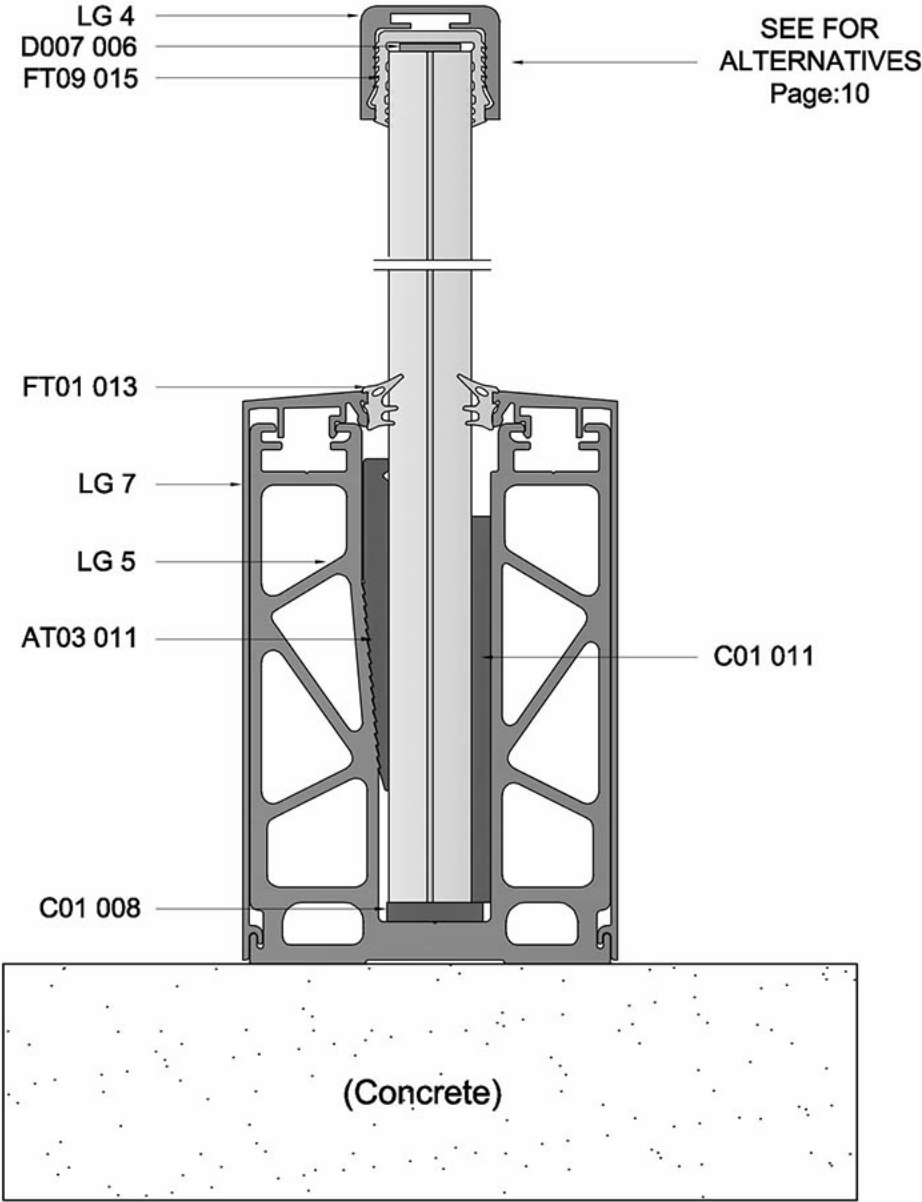
Scale: 1/2

LUMIGARDE 95



Plan / Section Drawings

For glass 0-25/64"+0-1/16"pvb+0-25/64"
(For glass 10 + 1.52 pvb + 10 mm)



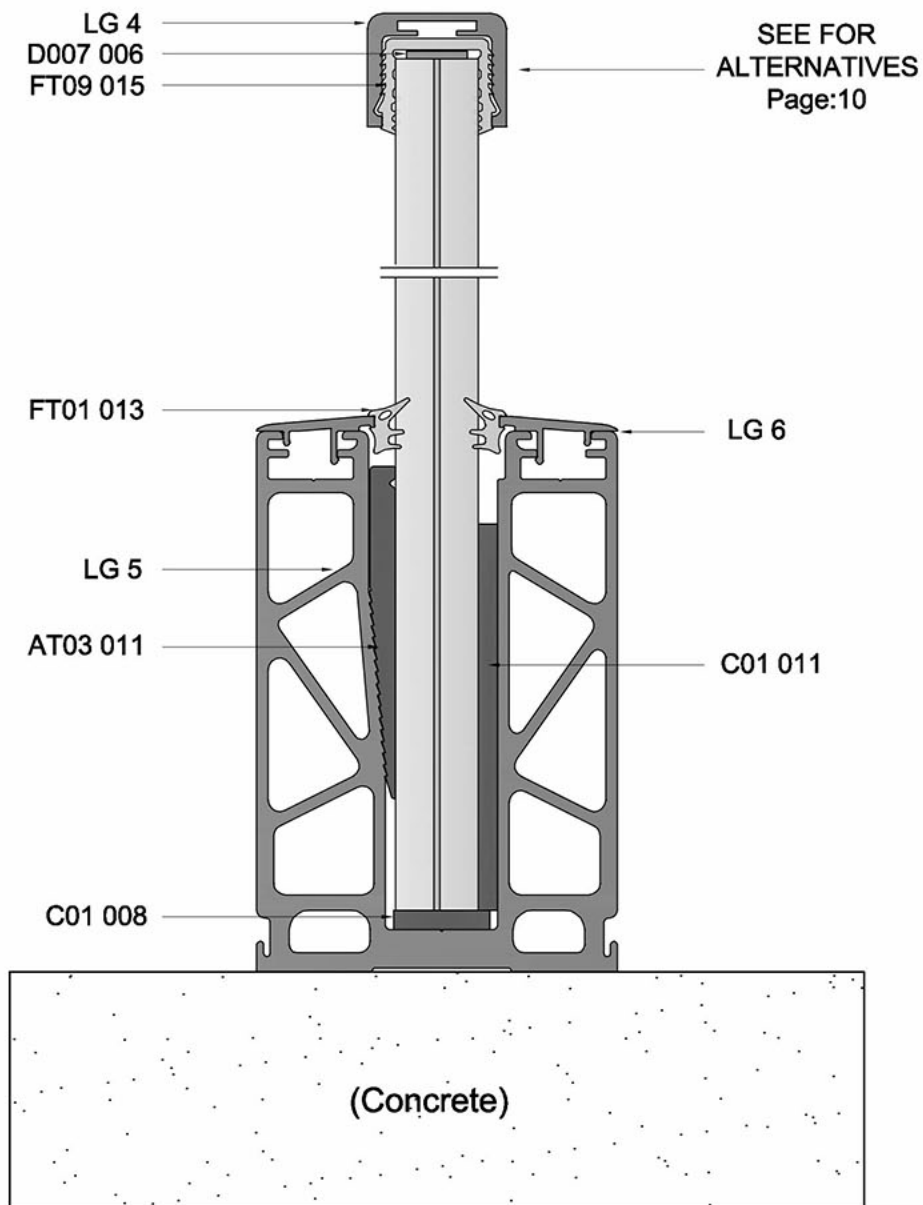
Scale: 1/2

LUMIGARDE 95



Plan / Section Drawings

For glass 0-25/64"+0-1/16"pvb+0-25/64"
(For glass 10 + 1.52 pvb + 10 mm)

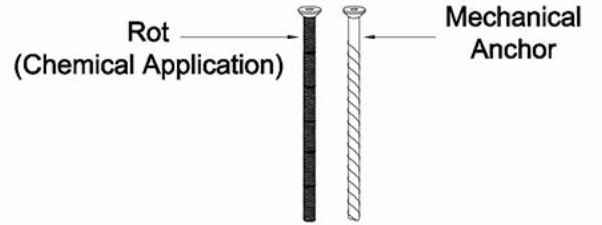
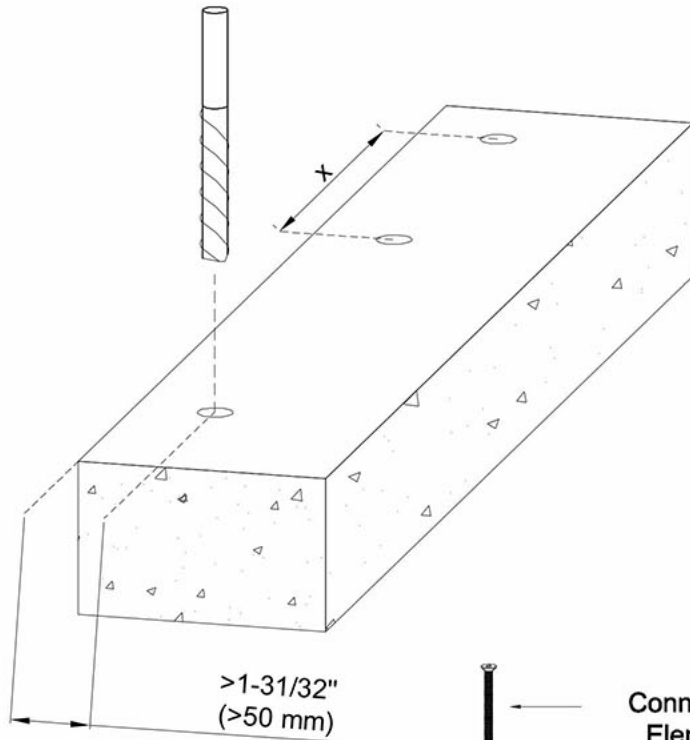


Scale: 1/2

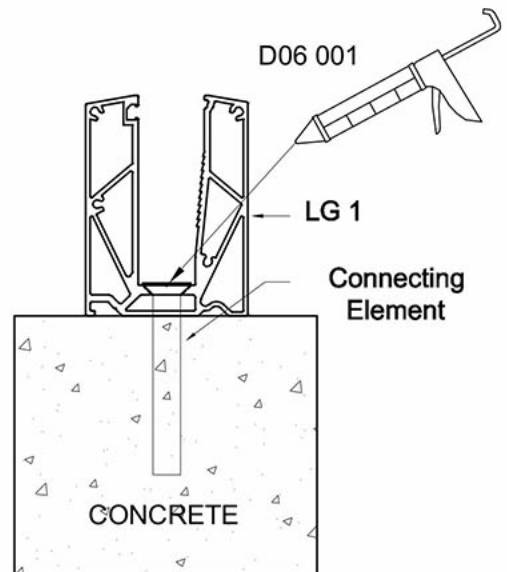
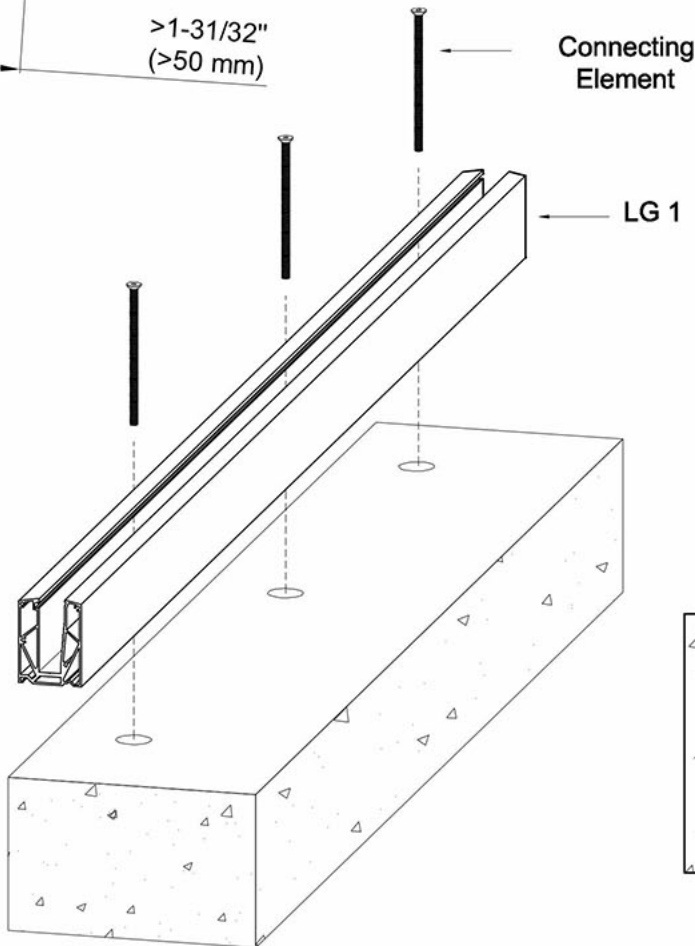
LUMIGARDE 95



Manufacturing Guide

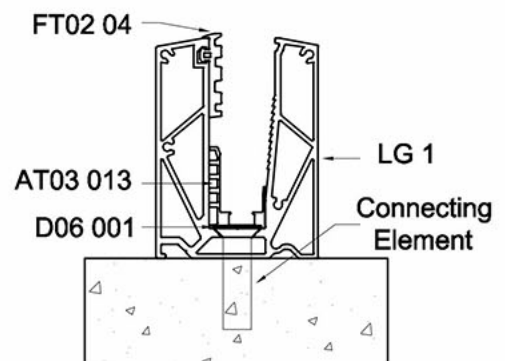
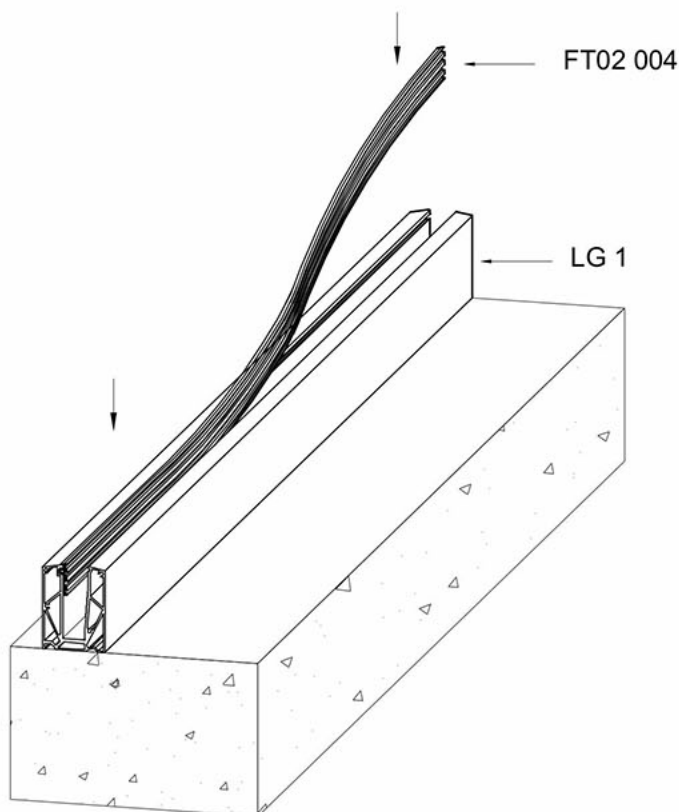
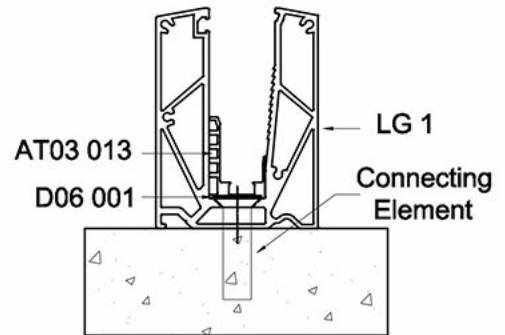
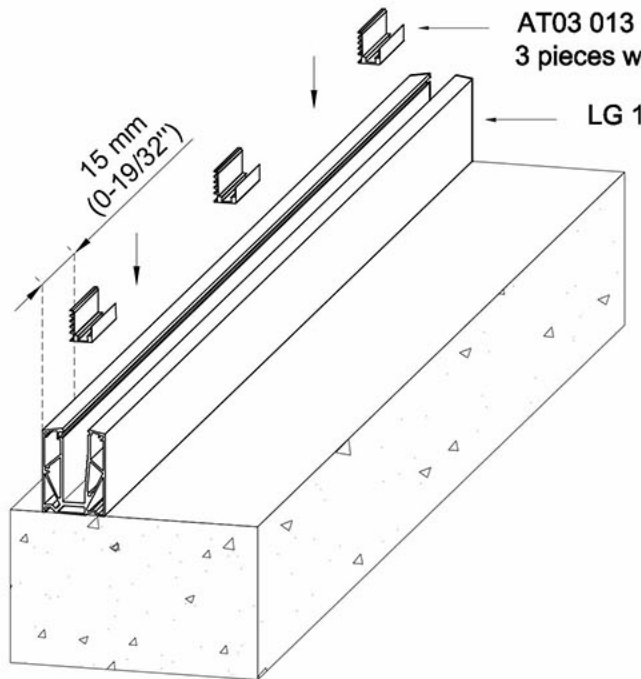


The distance 'X' and the connection element to be selected (chemical or mechanical dowel application) will be determined after calculating the static analysis based on the project data.



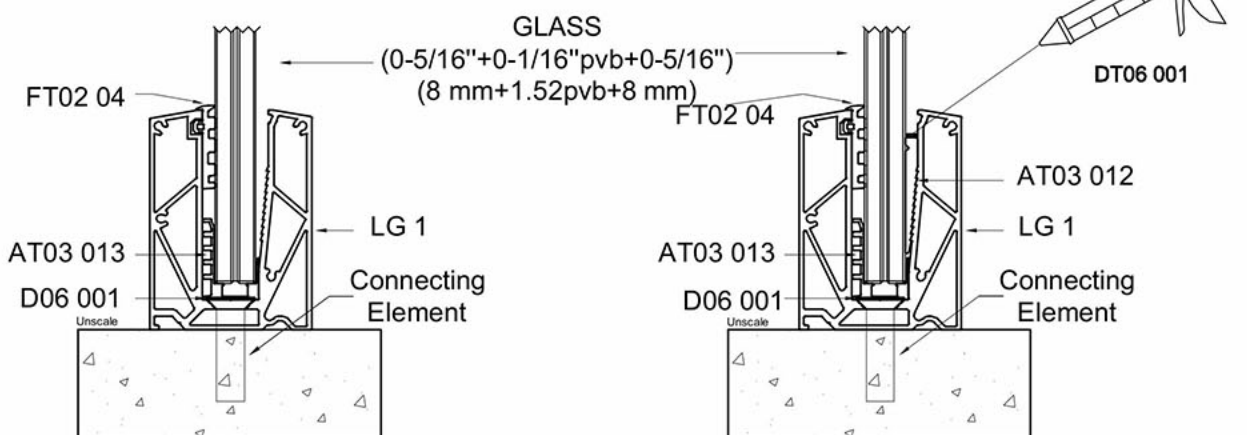
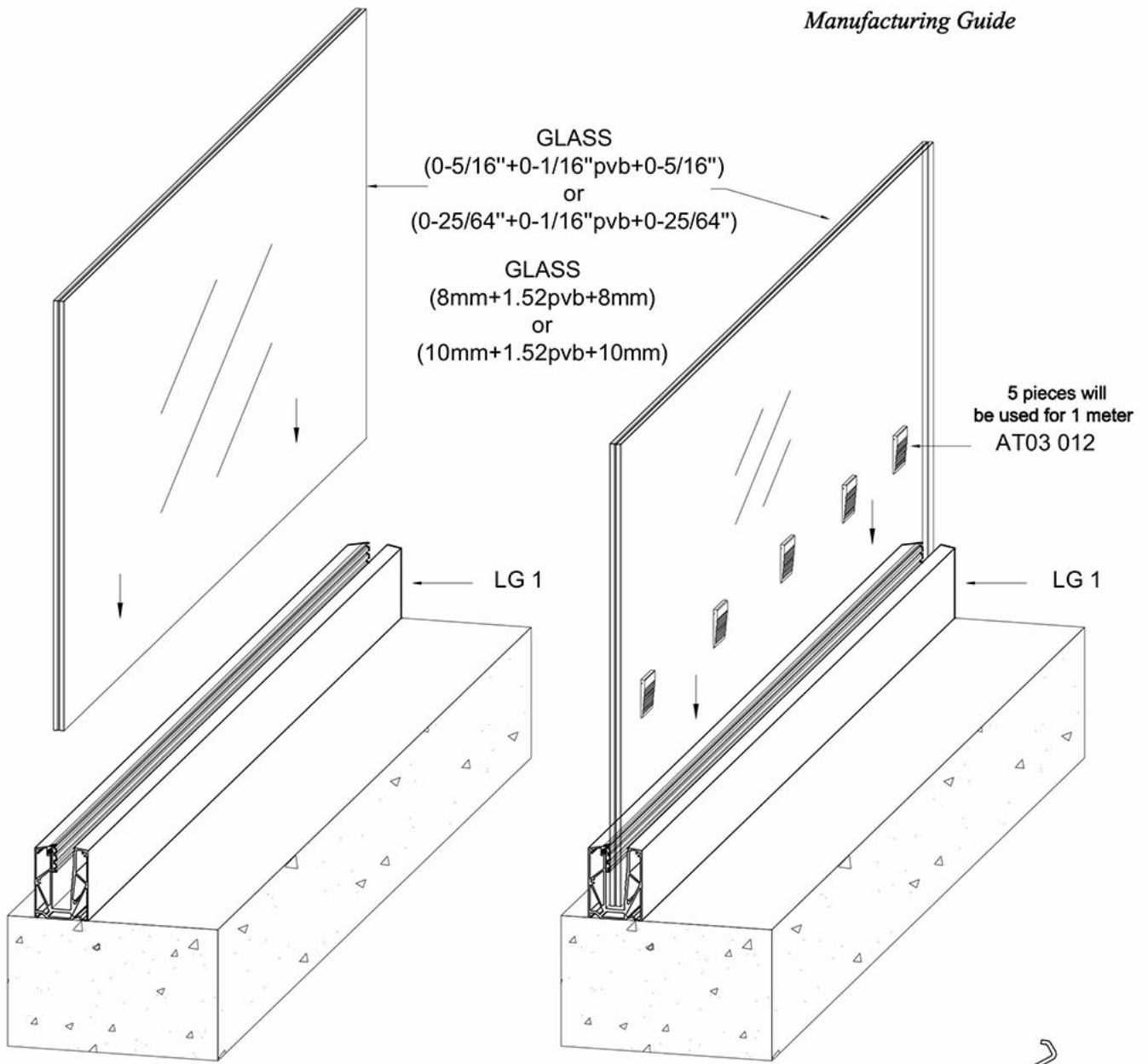
LUMIGARDE 95

Manufacturing Guide



LUMIGARDE 95

Manufacturing Guide



LUMIGARDE 95

Manufacturing Guide

GLASS
(8mm+1.52pvb+8mm)
GLASS
(0-5/16"+0-1/16"pvb+0-5/16")

SEE FOR
ALTERNATIVES
Page:10

LG 2

FT09 011

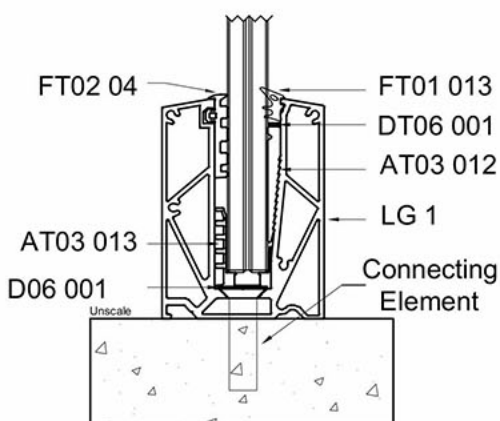
FT01 013

D07 006

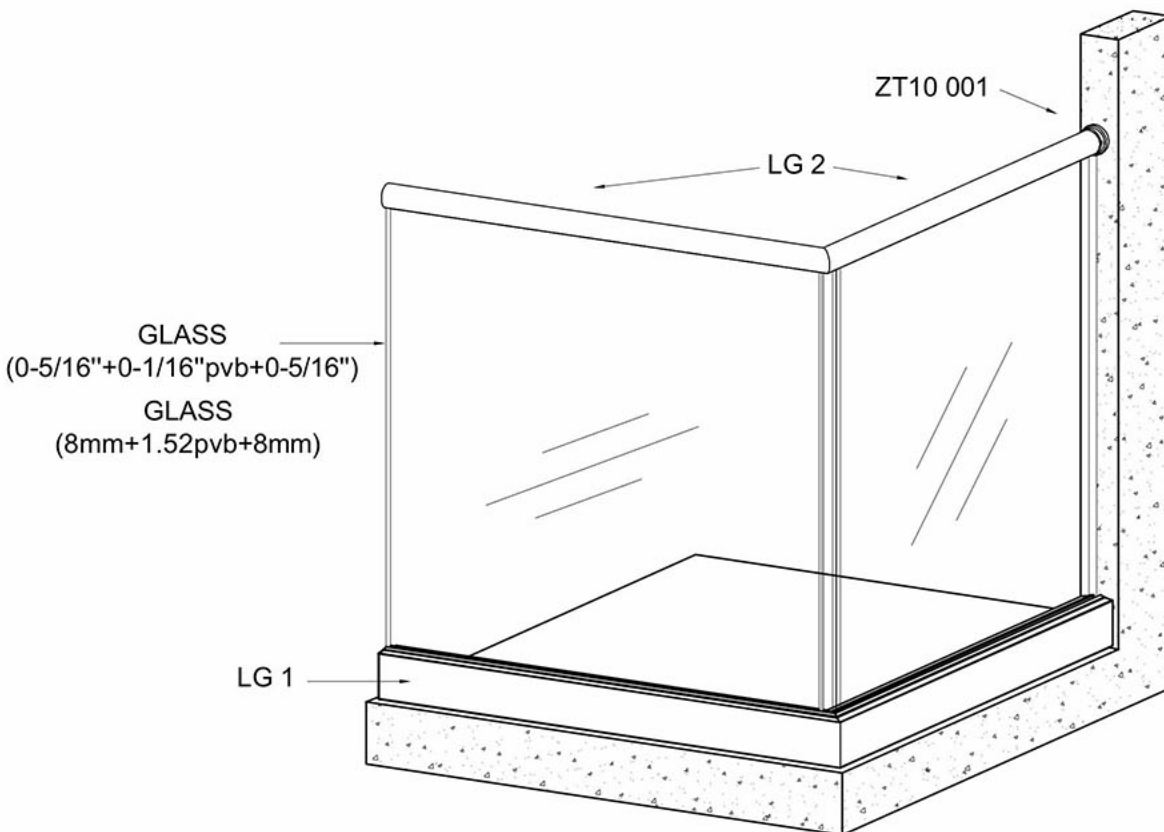
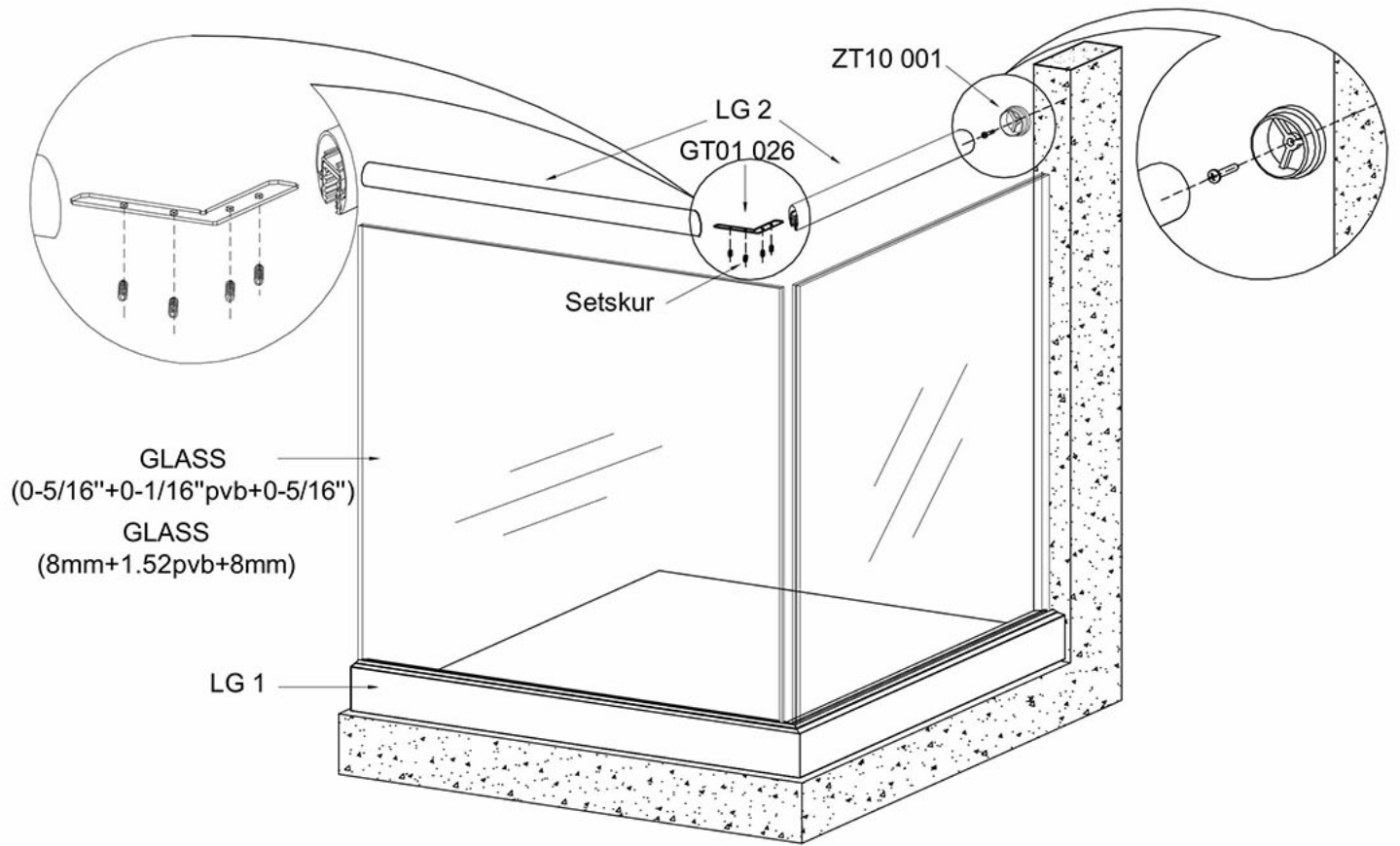
GLASS
(0-5/16"+0-1/16"pvb+0-5/16"
GLASS
(8mm+1.52pvb+8mm)

LG 1

LG 1



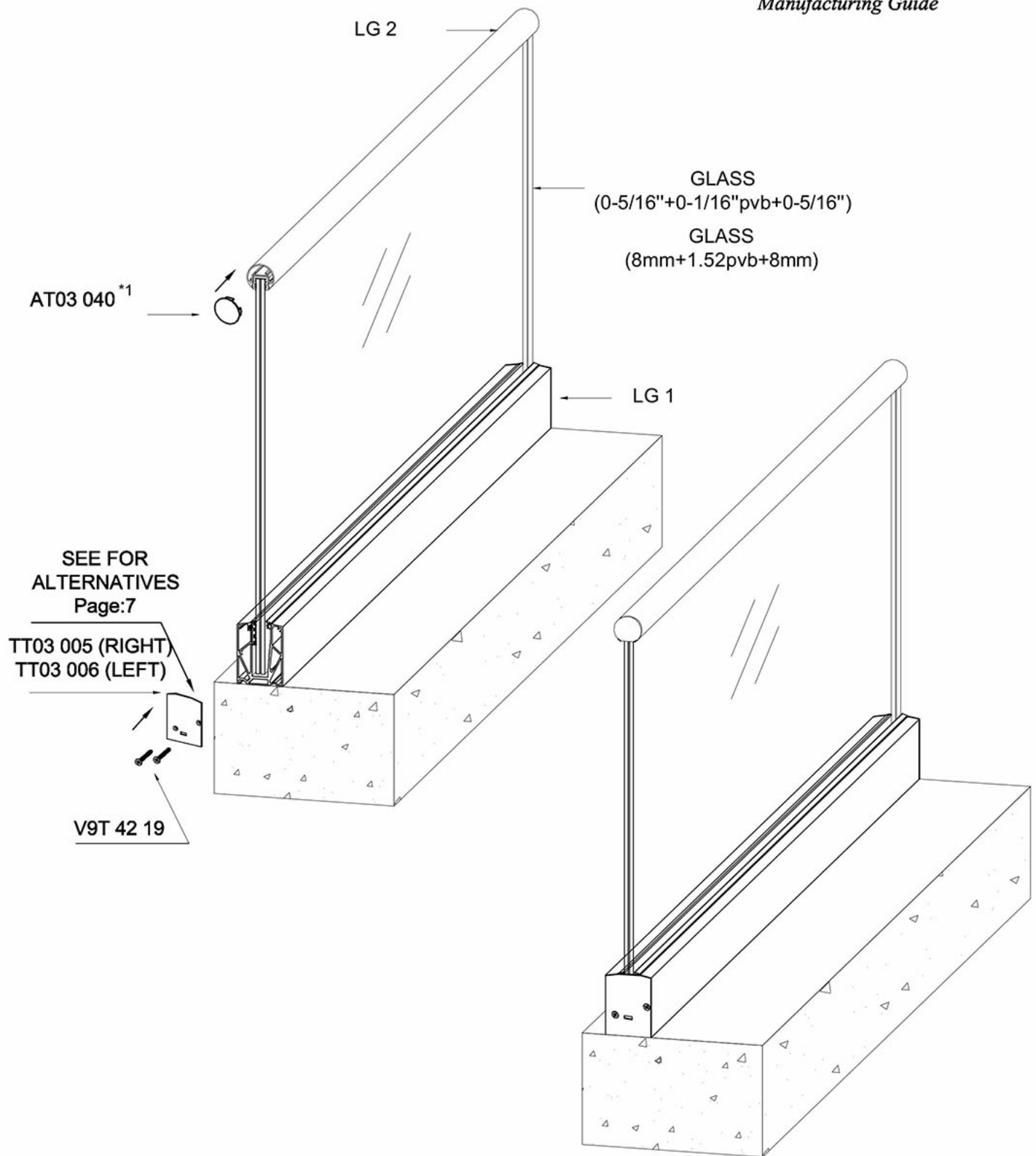
LUMIGARDE 95



LUMIGARDE 95



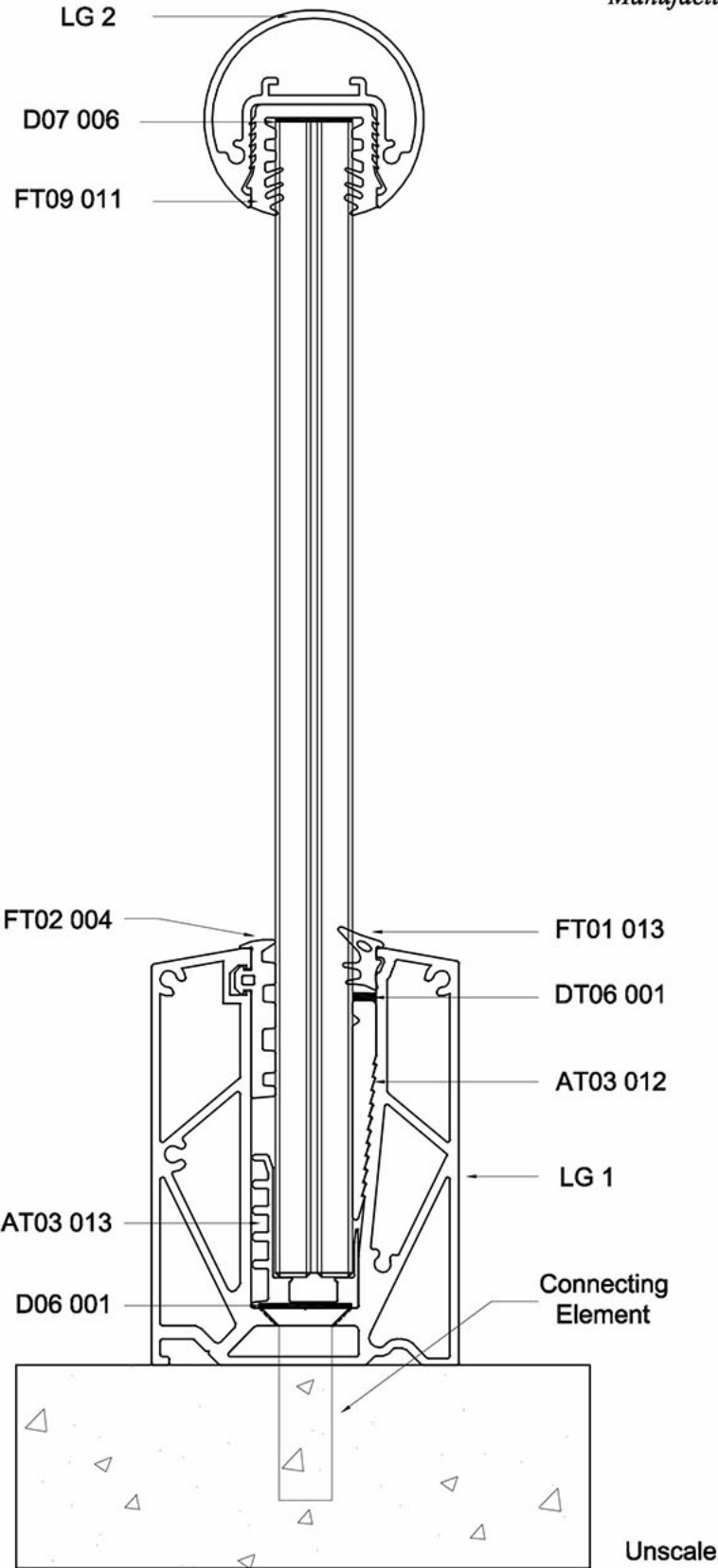
Manufacturing Guide



Note: ^{**1} Supply periods of related products are out of the standard supply periods and it is important to contact the bases.

LUMIGARDE 95

Manufacturing Guide



FTI FASAD TEKNOLOJİ MERKEZİ / FTI Façade Testing Institute

Merkez / Head Office

Barbaros Mah. Sarıcaç Sok. Ağaoglu My Prestige No:1/124 Ataşehir / İstanbul / TÜRKİYE
Tel: +90 216 575 88 80 Fax: +90 216 575 89 21 mail: info@fti-europe.com

Laboratuvar / Laboratory

Çakıl Mahallesi Şehit Tamer Aydın Sok. No:76 34540 Çatalca / İstanbul / TÜRKİYE
Tel : +90 212 776 42 25 Fax: +90 212 776 40 58-59 mail: info@fti-europe.com



Test
TS EN ISO/IEC 17025
AB-0531-T

AB-0531-T

140.956.1/2017

31.10.2017



DENEY SERTİFİKASI / Test Certificate

Numunenin Adı ve Tanımı / Sample's Name & Description: Lumigarde 95 Glass Railing System

Numune Kabul Tarihi : 27.10.2017
Acceptance Date of Item

Referans No : 2017.899
Reference No

Uygulanan Normlar / Norms Applied: NF P 01-013

Sonuçlar / Results: Result : Dynamic (Impact) Load 600 J
(For details, please see the report which is numbered 140.956.1 / 2017)

Test Tarihi / Date of Test
27.10.2017

Sayfa Sayısı / Number of Pages
1/10

Deney laboratuvarı olarak faaliyet gösteren FTI Fasad Teknoloji Merkezi, TÜRKAK 'tan AB-0531-T numarası ile TS EN ISO/IEC 17025 standardına göre akredite edilmiştir.
FTI Façade Testing Institute accredited by TURKAK under registration number AB-0531-T for TS EN ISO/IEC 17025 as test laboratory.

Türk Akreditasyon Kurumu (TÜRKAK) deney laboratuvarlarının tanınırlığı konusunda Avrupa Akreditasyon Birliği (EU) ile Çok Taraflı Anlaşma ve Uluslararası Laboratuvar Akreditasyon Birliği (ILAC) ile karşılıklı tanıma anlaşması imzalamıştır.
Turkish Accreditation Agency (TURKAK) is a signatory to the European co-operation for Accreditation (EA) Multilateral Agreement (MLA) and to the International Laboratory Accreditation Cooperation (ILAC) Mutual Recognition Arrangement (MRA) for the recognition of test reports.

Deney ve/veya ölçüm sonuçları, genişletilmiş ölçüm belirsizlikleri (olması halinde) ve deney metotları bu sertifikanın tamamlayıcı kısmı olan takip eden sayfalarda verilmiştir. Bu sertifika yalnız test edilen numuneye ait sonuçları içerir ve ekte sunulan ilgili test raporu ile birlikte geçerlidir.
The test and/or measurement results, the uncertainties (if applicable) with confidence probability and test methods are given on the following pages. This certificate includes the test results of the specimen which is identified above and its valid with the related test report.



Tarih / Date
31.10.2017

Test Faaliyetleri Yöneticisi
Testing Manager

Murat GÖL

Laboratuvar Müdürü
Laboratory Manager

Öner ARSLAN

F.15.22 REV NO: F MART 2017

Bu rapor, laboratuvarın yazılı izni olmadan kısmen kopyalanıp çoğaltılamaz. İmzasız ve mühürlü raporlar geçersizdir.
This report shall not be reproduced other than in full except with the permission of the laboratory. Examination reports without signature and seal are not valid.



www.frontmetal.com.tr



Front Trade Metal Sanayi Ltd.Şti.
Barbaros Hayrettin Paşa Mah. 1995 Sk. No:1/3
AKROS K:26 D:445 34522 Esenyurt / İstanbul / TÜRKİYE
Gsm: +90 543 189 23 23
E-mail: sales@frontmetal.com.tr

www.frontmetal.com.tr