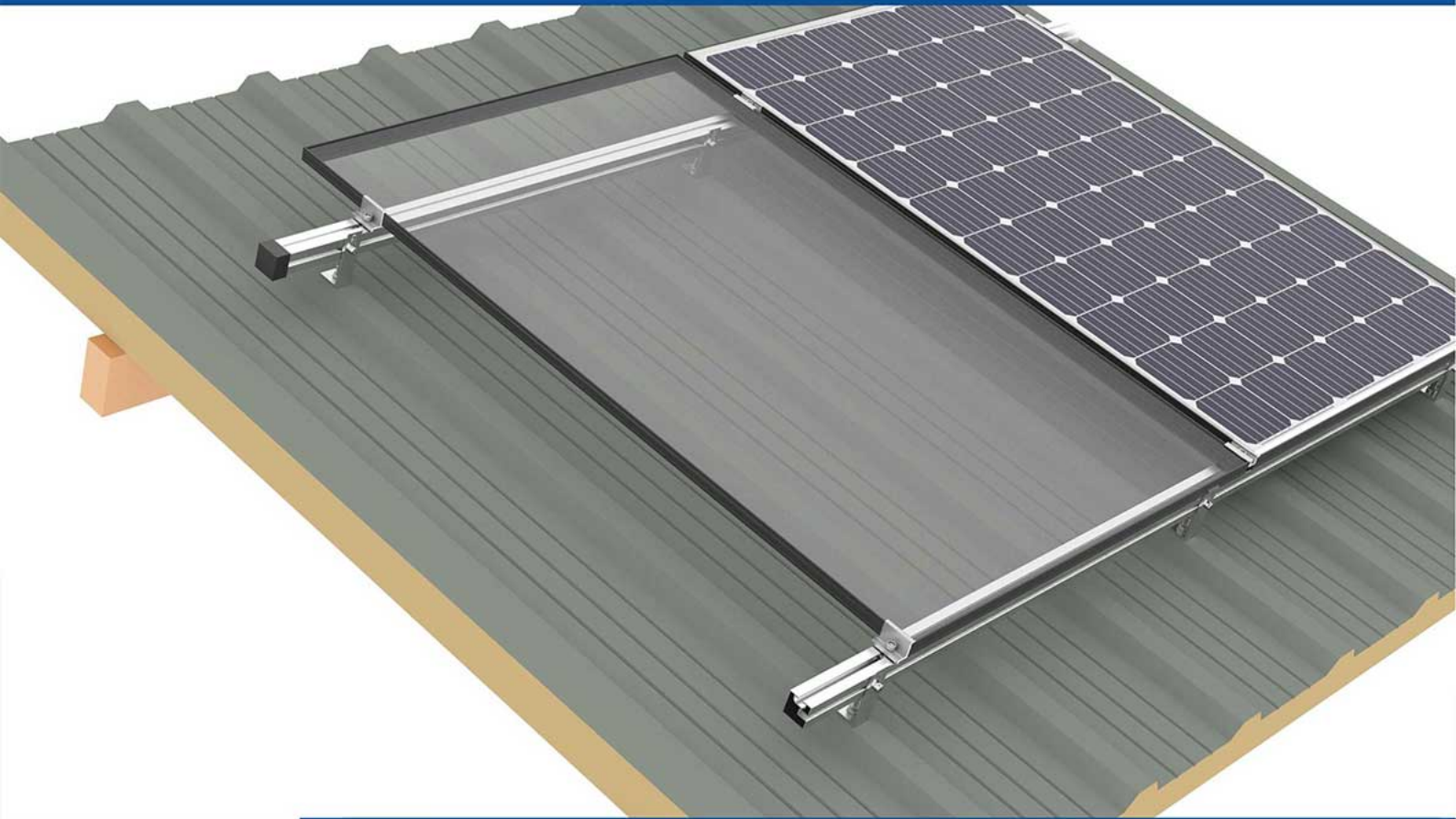
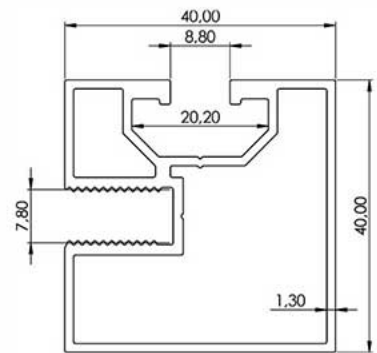
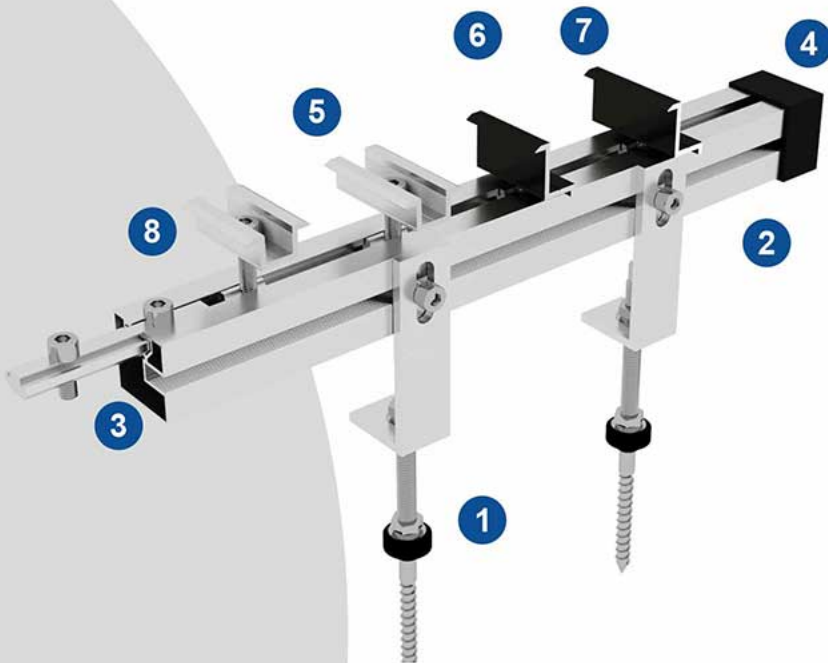




L TYPE TILED&TRAPEZE ROOF MOUNTING



TRAPEZE ROOF L TYPE MOUNTING



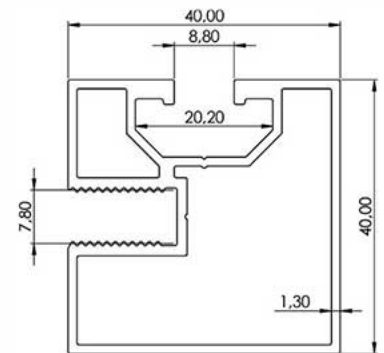
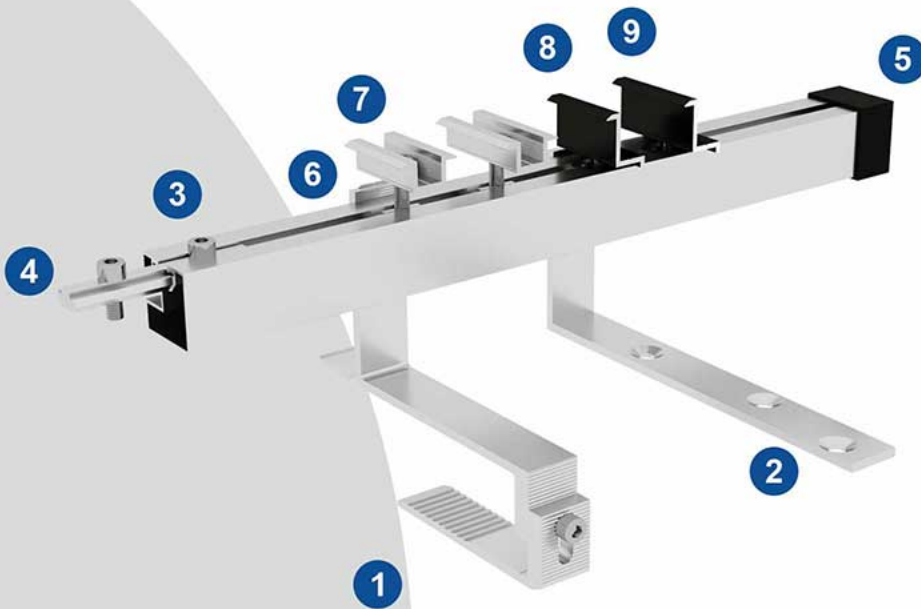
0,874 kg/m

COMPONENTS

	IMAGE	PRODUCT CODE	PRODUCT
1		ALS1013	STICK SCREW
2		ALS1001	L-PROFILE
3		ALS1007	CONNECTOR FOR L PROFILE
4		ALS1009	END CAP
5		ALS1021	MIDDLE CLAMP
6		ALS1017	END CLAMP 30MM
7		ALS1019	END CLAMP 35MM
8		ALS1032	SPRING NUT
9		ALS1034	M8 35 BOLT



TILED ROOF L TYPE MOUNTING



0,874 kg/m

COMPONENTS

	IMAGE	PRODUCT CODE	PRODUCT
1		ALS1010	DOUBLE ADJUSTABLE ALUMINIUM HOOK
2		ALS1014	L-HOOK
3		ALS1003	L-PROFILE
4		ALS1007	CONNECTOR FOR L PROFILE
5		ALS1009	END CAP
6		ALS1032	SPRING NUT
7		ALS1021	MIDDLE CLAMP
8		ALS1017	END CLAMP 30MM
9		ALS1019	END CLAMP 35MM
10		ALS1034	M8 35 BOLT



Front Trade Metal Sanayi Ltd.Şti.
Barbaros Hayrettin Paşa Mah. 1995 Sk. No:1/3
AKROS K:18 D:364 34522 Esenyurt / İstanbul
Gsm: +90 543 189 23 23
E-mail: info@frontmetal.com.tr

www.frontmetalsolar.com